

3 Bolt Guy Clamp, with 2×1/2" Round End Bolts



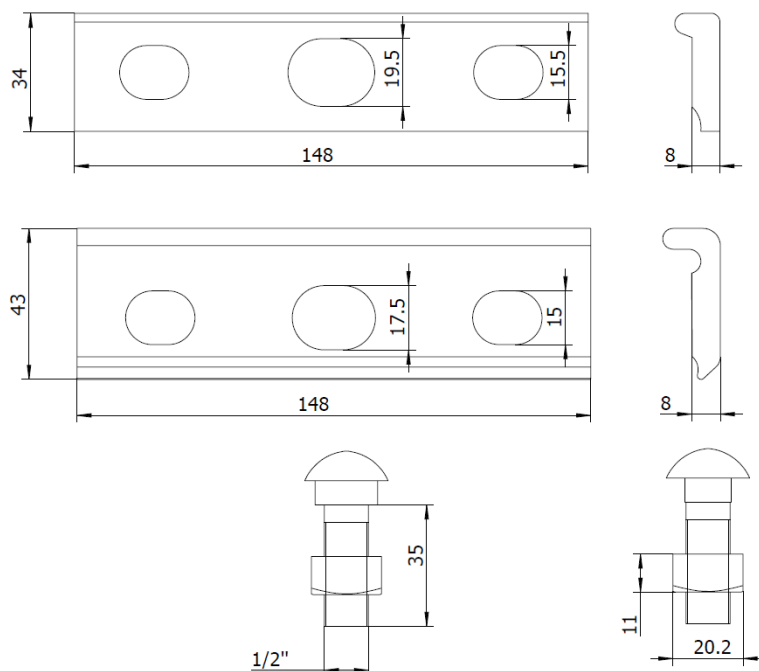
Applications

When installing optical cables, the galvanized steel wire rope of the double-slot clamp is usually first fixed to each pole through the single-slot clamp, and then the optical cable is suspended on the steel wire rope. After the clamp is installed, the steel wire rope is clamped by the clamp, and it needs to withstand external factors such as wind during the installation of the optical cable.

General Specification

Material	Hot-Dip Galvanized Iron
Width	43.5 mm Nominal
Length	148 mm Nominal
Thickness	8 mm Nominal
Compatible Wire Diameter	1/4" to 7/16"
Type	Single Slot
Bolt Size	1/2"
Weight	780g Nominal

Dimension(mm)



Proprietary information of SIGHTES TECHNOLOGY that may not be reproduced, disclosed or used for any purpose except under the authorized written consent of SIGHTES TECHNOLOGY and may be recalled at any time. Copyright 2022 SIGHTES TECHNOLOGY. All Rights Reserved Jun 15 2023