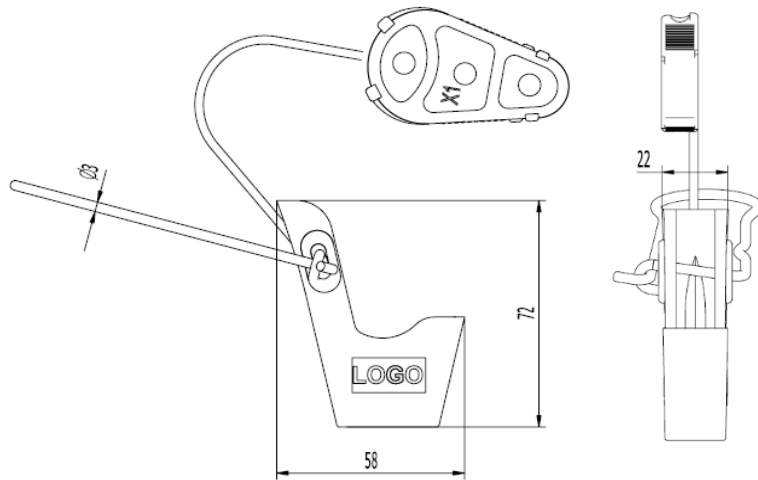
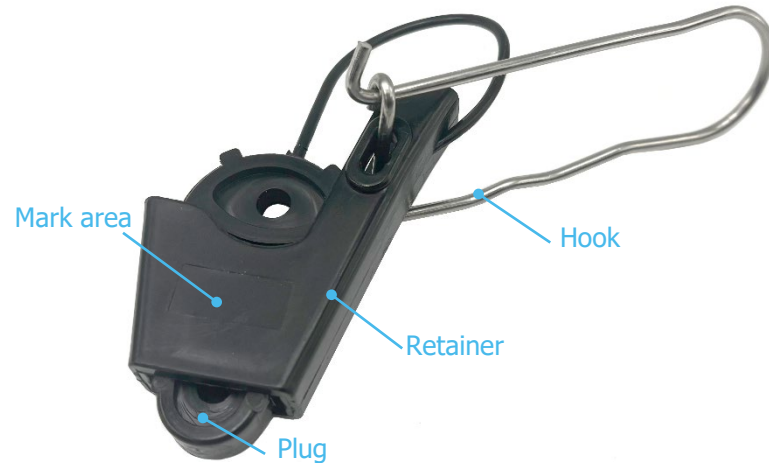




Drop Hardware

PLASTIC DROP CLAMP WITH STEEL LOCKABLE HOOK

#HC-A11-HTG3



The FTTH Drop Clamp acts as a primary anchoring for aerial fiber optic deployments, safely attaching incoming drop cables to utility poles or building facades. Manufactured with a UV-resistant polymer body and a stainless steel bail, this clamp provides a reliable, weather-proof termination point for subscriber networks

FEATURES

- Ensures quick, intuitive cable positioning without manual adjustments
- Supports custom stamped markings on the body
- Maintains a safe, large bend radius while clamping both flat and round Cables
- Tensile strength up to 1,800N

SPECIFICATIONS

Items	Specs
Material, clamp	PA (UV Resistance, ASTM G154)
Color	Black
Material, hook	Corrosion-resistant stainless steel
Overall Dimension, clamp	58*22*72 mm
Overall Dimension, hook	101*35*Ø3 mm
Compatible Cable Type	2*5mm Drop Flat Cable 2-3mm Drop Round Cable
Tensile Strength	1,800 N
Operation Temperature	-10~60 °C
Weight	45 g
Packing	300 units per box