



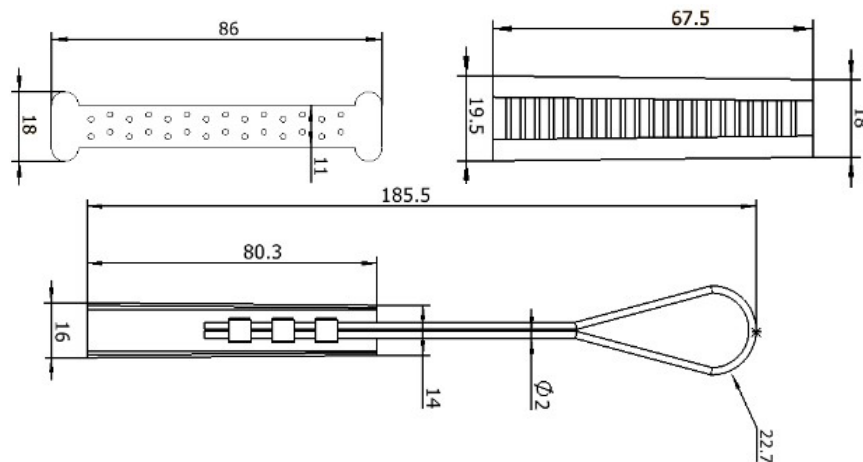
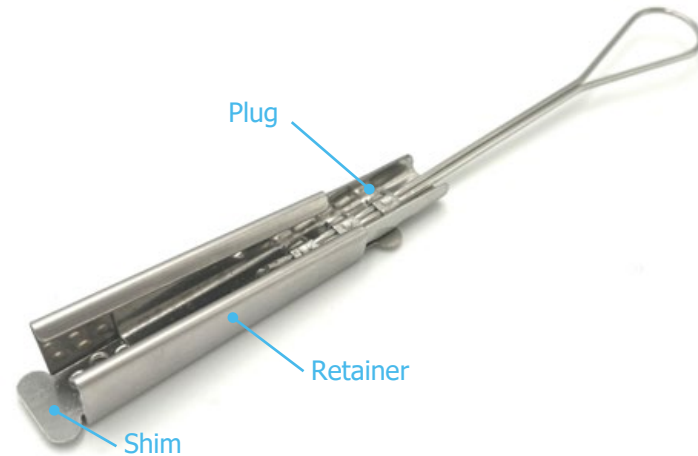
Drop Hardware

DROP CLAMP FOR FLAT FIBER OPTICAL CABLES, STAINLESS STEEL

#MWC-01E



optic drop cables from distribution poles or splice closures directly to the subscriber's building facade.



FEATURES

- Clamp reaches 900N tensile strength
- Stamped from Corrosion-resistant stainless steel
- Components are factory assembled

SPECIFICATIONS

Items	Specs
Material	Corrosion-resistant stainless steel
Overall Dimension	185.5*12.4*22.7 mm
Thickness, retainer & plug	0.6 mm
Compatible Cable Type	2*3mm/2*5mm Drop Flat Cable
Weight	38 g
Working Load	900 N

Fotux drop clamps serves as the primary anchoring device to secure flat fiber