



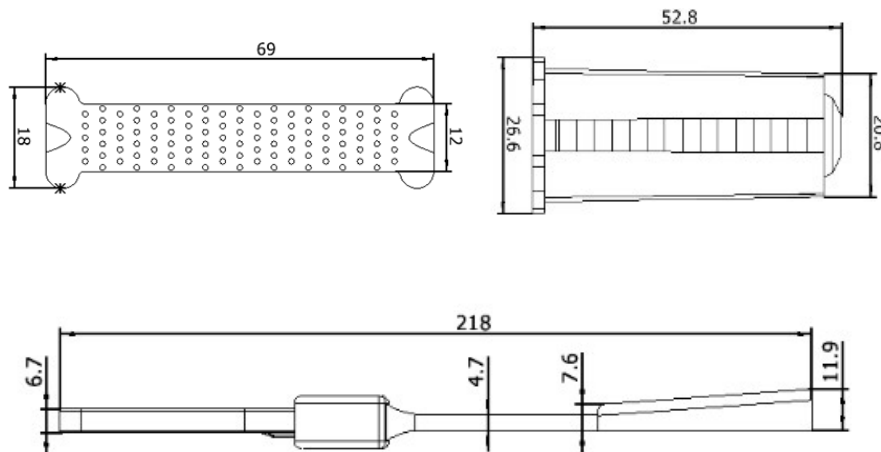
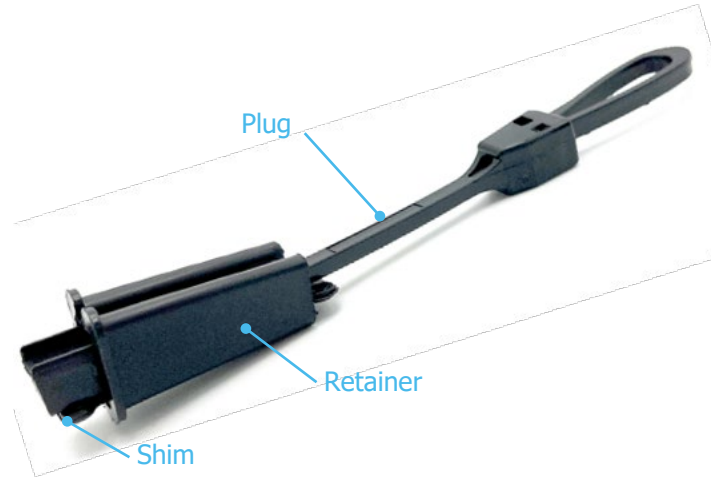
Drop Hardware



PLASTIC DROP CLAMP FOR FLAT FIBER OPTICAL CABLES, UV RESISTANCE

#NWC-08BUV

Plastic drop clamp is a cost-effective tensioning solution designed to anchor flat fiber optic drop cables in FTTH "last mile" deployments. It serves as the primary anchoring device to secure flat fiber optic drop cables from distribution poles or splice closures directly to the subscriber's building facade.



FEATURES

- Clamp reaches 500N tensile strength with cable
- Manufactured using weather-resistant engineering plastic
- Components are factory assembled

SPECIFICATIONS

Items	Specs
Material	PA (UV Resistance, ASTM G154)
Color	Black
Overall Dimension	218*27*27 mm
Compatible Cable Type	2*5mm Drop Flat Cable
Weight	30 g
Operation Temperature	-10~60 °C
Working Load	500 N