



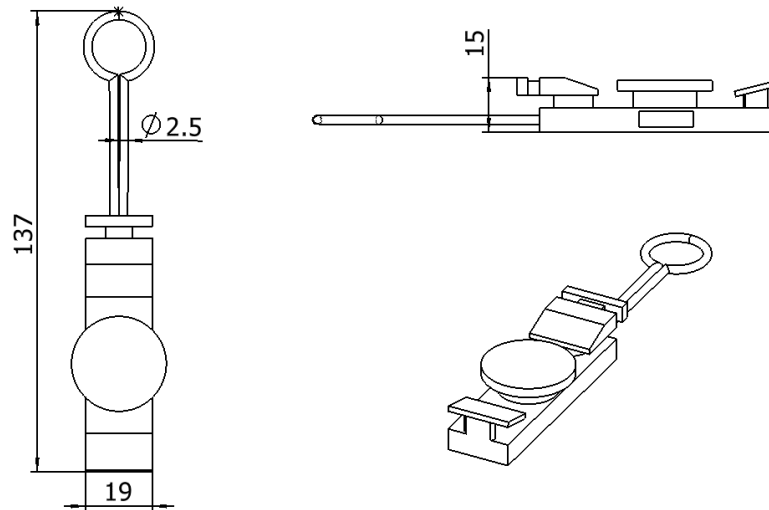
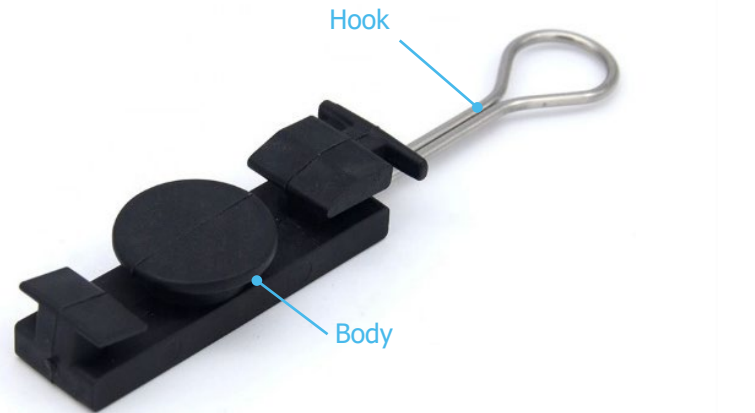
Drop Hardware

S TYPE DROP CLAMP, ABS BODY & STAINLESS STEEL HOOK, UV RESISTANCE

#SC-A11B





Fotux drop clamps serves as the primary anchoring device to secure flat fiber optic drop cables from distribution poles or splice closures directly to the subscriber's building facade.



FEATURES

- Made of engineering-grade plastic and stainless steel for enhanced anti-corrosion
- Suitable for 2*5mm cable installation
- Insulation body prevents the spread of electrical surges

SPECIFICATIONS

Items 	Specs 
Material, body	ABS (UV Resistance, ASTM G154)
Material, hook	Corrosion-resistant stainless steel
Overall Dimension	137*20*15 mm
Hook Diameter	2.5mm
Compatible Cable Type	2*5mm FTTH drop cable
Weight	30 g
Working Load	1.3 kN