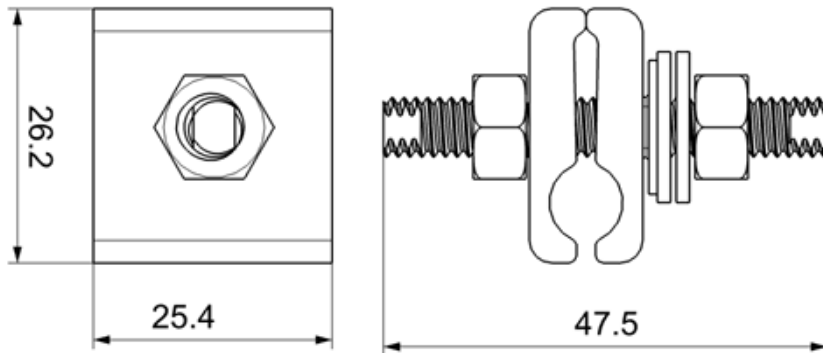


D LASHING WIRE CLAMP

#WSC-D03





Lashing wire clamps are commonly used in fiber optic cable installations to secure the cables to messenger wires or other support structures.

FEATURES

- Accommodates strand sizes 1/4" through 7/16"
- Terminal ends of stud are staked to prevent disassembly during shipping and installation
- All components are mechanically galvanized to meet ASTM Specification B695

SPECIFICATIONS

Items 	Specs 
Material	Galvanized Steel
Overall Dimension	25.4*26.2*47.5 mm
Thickness	5.0 mm
Compatible Wire Diameter	1/4" to 7/16"
Weight	60g