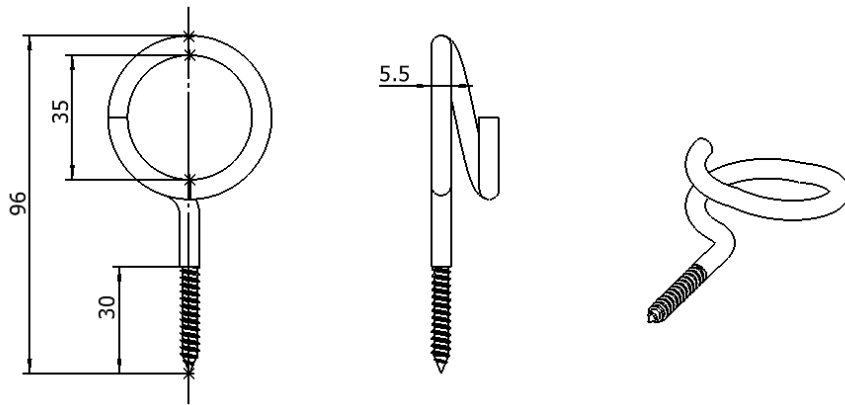


# Drop Hardware

## EY SCREW, 5.5MM DIAMETER

#HB-GED





Galvanized eye screws are commonly used in various applications where a secure and reliable anchor point is needed. The galvanized coating provides corrosion resistance, making them suitable for both indoor and outdoor use.

### FEATURES

- Open eyes to accommodate cables or attachment location for drop clamps
- Formed from steel
- Galvanization for outdoor use

### SPECIFICATIONS

Items 	Specs 
Material	Galvanized Steel
Hook Diameter	5.5 mm
Thread Pitch	UNC-8
Weight	41 g