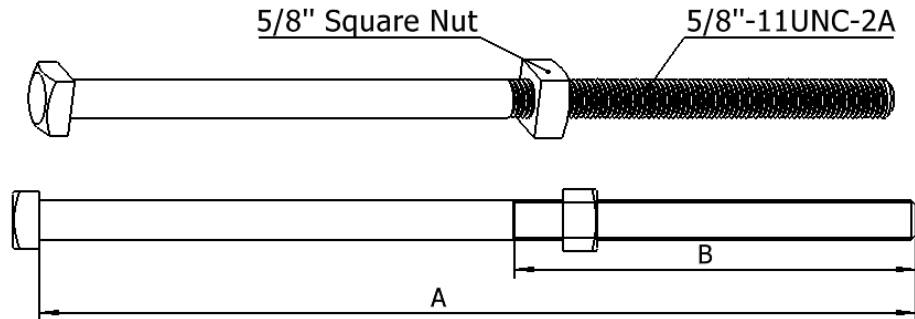


Line Construction Hardware

MACHINE BOLT WITH NUT, SQ HEAR, 5/8"

#HW-MBA58 Series





The FOTUX square head machine bolts are used for fastening poleline hardware to crossarms, poles, and other structures.

FEATURES

- Hot dip galvanized per ASTM F2329
- Has a formed "cone point" to ease attachment of nut
- Dimensions conform to ASME B18.2.1

SPECIFICATIONS

Items 	Specs 
Material	Hot-dip Galvanized Steel
Zinc Coating	ASTM AF2329
Thread	5/8"
Bolt Type	Square Head Bolt

DIMENSIONS

Part #	A, inch (mm)	B, inch (mm)
HW-MBA58-10	10 (254)	6 (152)
HW-MBA58-12	12 (305)	6 (152)
HW-MBA58-14	14 (355)	6 (152)
HW-MBA58-16	16 (406)	6 (152)
HW-MBA58-18	18 (457)	6 (152)