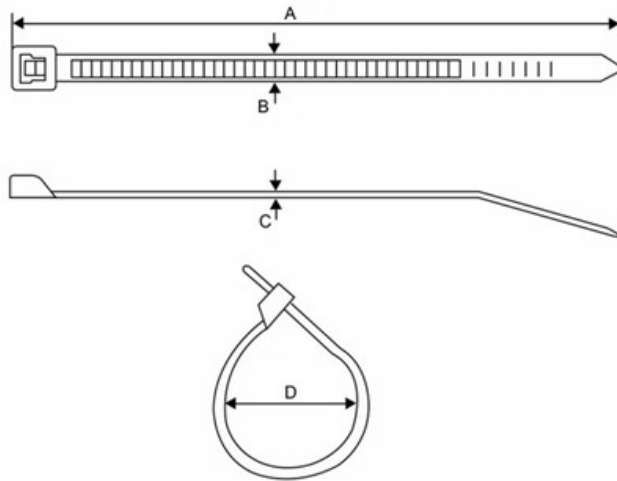




Cable Management

3.6MM NYLON CABLE TIE, 100 UNITS

#NCT-40 Series





FOTUX Nylon cable ties provides a versatile and reliable solution for bundling, securing, and organizing wires, cables, and hoses across telecommunications and industrial applications. Available in a wide range of widths, lengths, and tensile strengths, they are designed to meet diverse requirements.

FEATURES

- Made from industrial-grade Nylon for high tensile strength and flexibility
- Self-locking head design prevents "back-slip" and ensures the bundle stays tight under vibration
- Smooth edges and a bent tip design facilitate quick insertion and hand installation.

SPECIFICATIONS

Items 	Specs 
Material	PA (ASTM G154, UV resistance)
Color	Customized
Operation Temperature	-10~60 °C
Tensile Strength	16 kgf
Packing	100 units / bag



Cable Management



DIMENSIONS

Part#	NCT-4015	NCT-4020	NCT-4025	NCT-4030
A, mm	150	200	250	300
B, mm	3.6	3.6	3.6	3.6
C, mm	1.2	1.2	1.2	1.2
D, mm	3-35	3-50	3-65	3-80