

Line Construction Hardware

3/4" BUCKLE, 1.5MM THICK, 100 UNITS

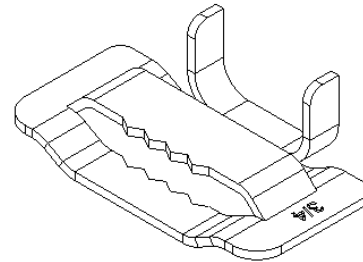
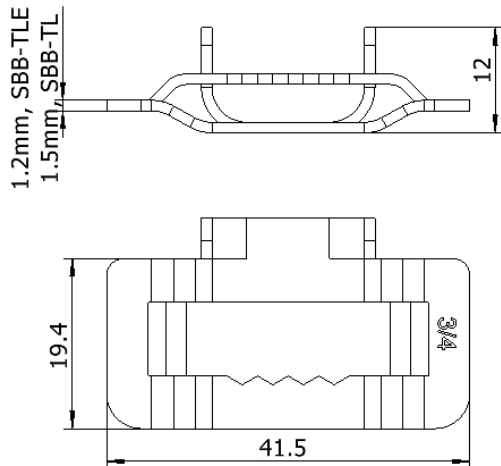
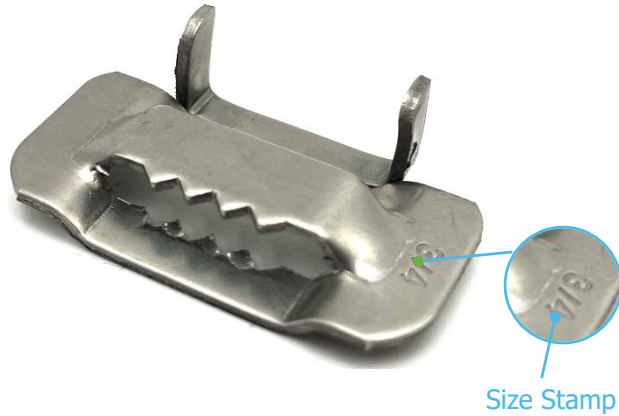
#SBB-TL Series



The buckle serves as the critical anchor point for stainless steel strapping systems. It is engineered to create a secure, high-tension loop that withstands vibration and heavy loads, ensuring the stability of pole line attachments.

FEATURES

- Reinforced design with teeth for maximum grip and anti-slip performance
- Stamped from Corrosion-resistant stainless steel
- Size stamp for easy identification



SPECIFICATIONS

Items	Specs
Material	Corrosion-resistant stainless steel
Dimension	41.5*24.0*12.0 mm
Thickness, P/N	1.2 mm, SBB-TLE 1.5 mm, SBB-TL
Compatible Band Type	3/4" (19.0 mm)
Packing	100 units per bag