

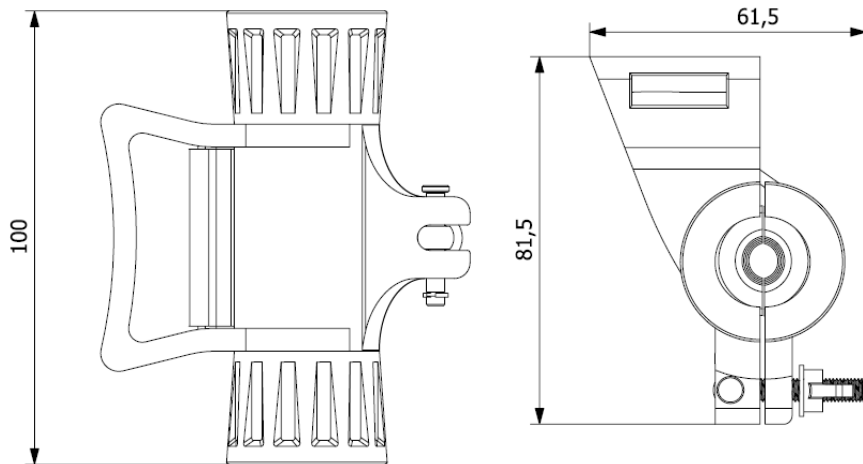


ADSS Hardware



PLASTIC ADSS SUSPENSION CLAMP, CUSTOMIZED MARKER #ASC-C01P-U1


The Plastic Suspension Clamp is a crucial fitting in FTTx aerial deployments, primarily designed to support and secure ADSS cables during suspension installation.



FEATURES

- Innovative efficient fastening mechanism
- Engineering grade material for UV resistance per ASTM G154
- Easy installation without special tools or equipment
- Customized marker stamp on housing

SPECIFICATIONS

Items	Specs 
Material, housing	UV-resistant Nylon
Material, insert	UV-resistant TPE
Overall Dimension	100*61.5*81.5 mm
Compatible Cable Diameter	9-11 mm
Weight	163 g
Working Load	800 N
Working Temperature	-10~60 °C